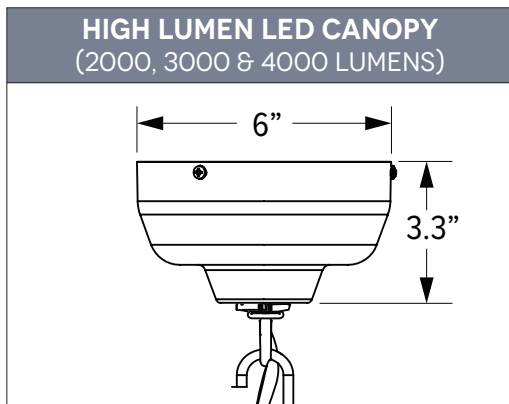
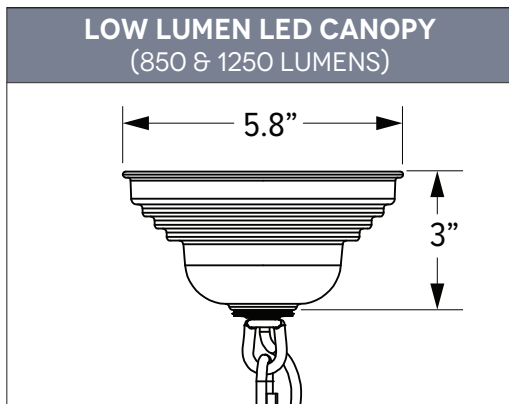
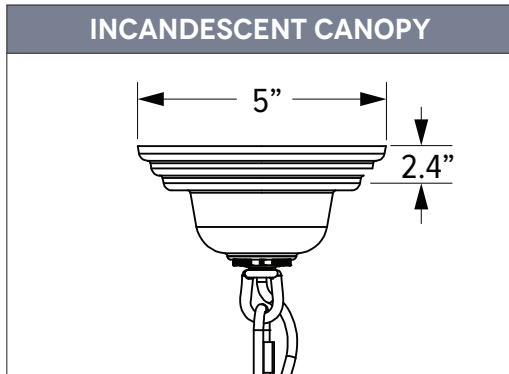




# SCHOOLHOUSE CHAIN HUNG PENDANTS

MKT-0030, REV C

This collection of pendant lights suspends iconic, glass schoolhouse shades from a rugged chain mounting, giving homes and businesses a contemporary yet still timeless style. To create the mounting's unique aesthetic, a cord in your choice of color is weaved through a 4-gauge chain, balancing the industrial edge with a touch of style. When it's time to install the pendant, a Quick Link allows simple, on-site adjustments to the chain's length.



CHAIN HUNG (CNXX)	
CODE	LENGTH (L)
<b>CN36</b>	36" (3 Feet)
<b>CN48</b>	48" (4 Feet)
<b>CN60</b>	60" (5 Feet)
<b>CN72</b>	72" (6 Feet)

Custom lengths available upon request, contact factory for additional information.

## CSA LISTED CORD OPTIONS

Damp or Dry Locations | UL/CSA Listed



**SBK** Standard Black Cord



**CSB** Black Cloth Cord



**CRZ** Red Chevron Cord



**CSR** Red Cloth Cord



**CSBW** Black & White Cloth Cord



**CSGW** Gold & White Cloth Cord



**CSBG** Black & Gold Cloth Cord



**SWH** Standard White Cord



**CSW** White Cloth Cord



**CMG** Grey Cotton Cord



**CSRW** Red & White Cloth Cord



**CSBB** Black & Pink Cloth Cord



**CSUW** Blue & White Cloth Cord



**CSBB** Black & Brown Chevron Cloth Cord